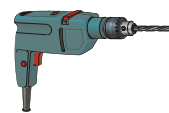
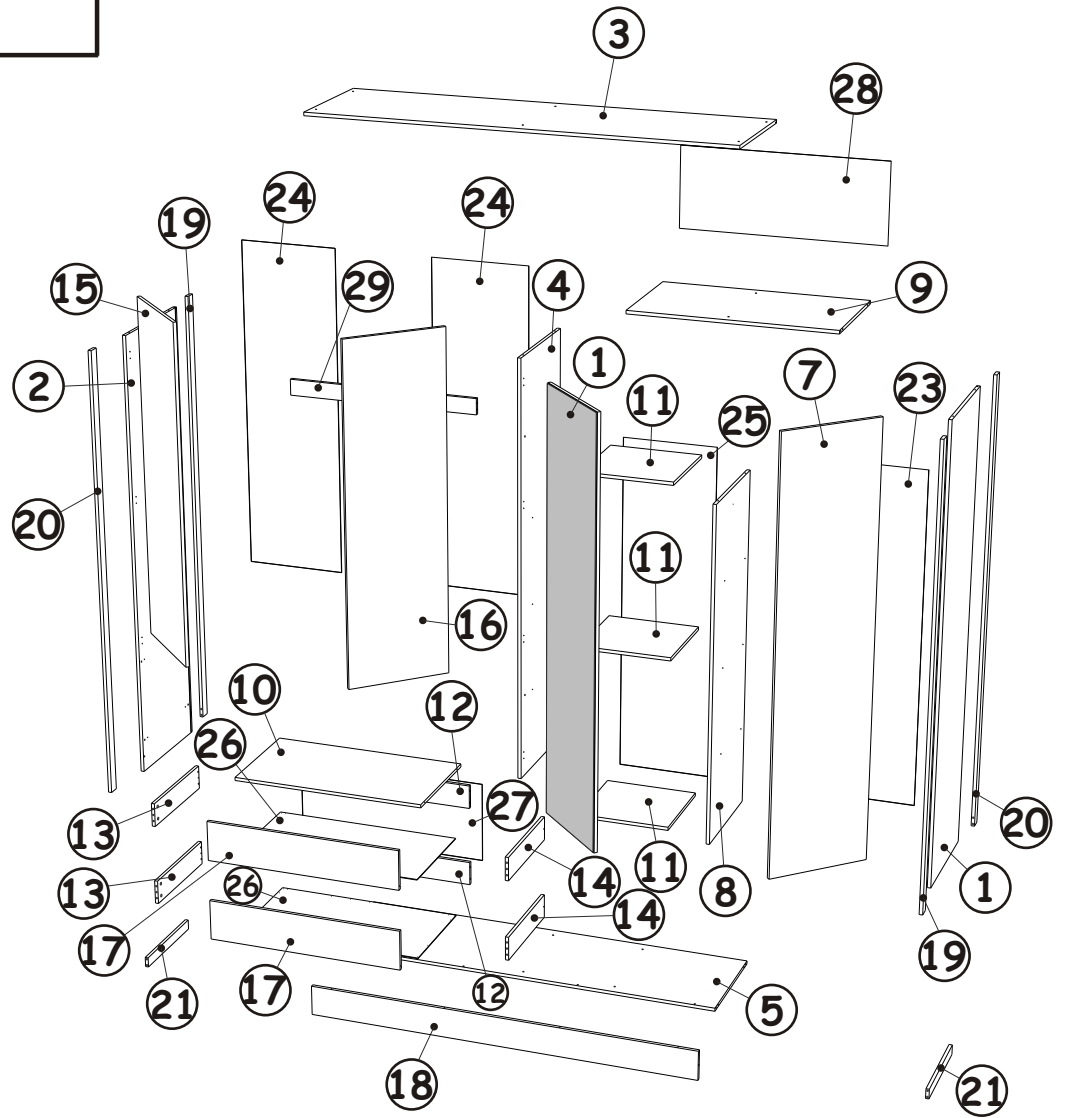
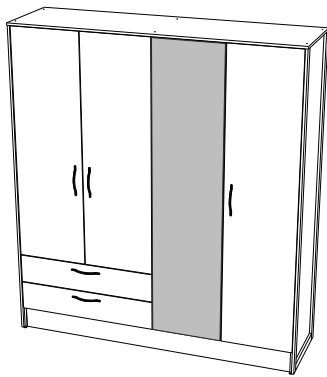


# HUGO Shkaf 4d

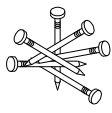
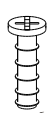
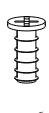
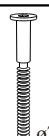



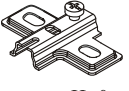
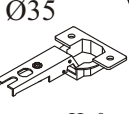

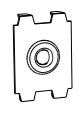
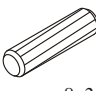

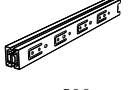
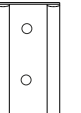
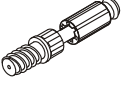

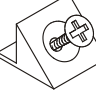

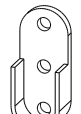
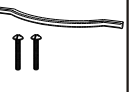
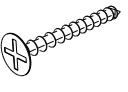
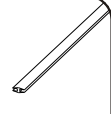
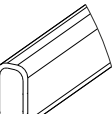
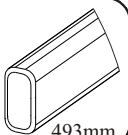


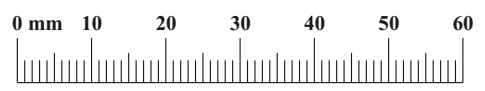
240 min

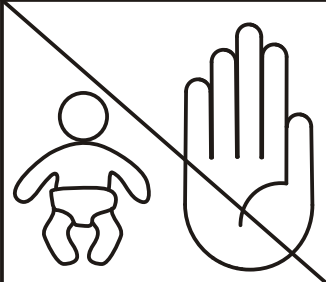
NO	Dim.		Col.-No	Qty
1	2184	540	2	1
2	2184	540	4	1
3	2000	562	2	1
4	2018	525	4	1
5	1930	525	4	1
6	2028	486	1	1
7	2028	486	1	1
8	1633	525	2	1
9	927	525	3	1
10	927	525	3	1
11	439	425	3	3
12	899	120	3	2
13	500	120	2	2
14	500	120	2	2

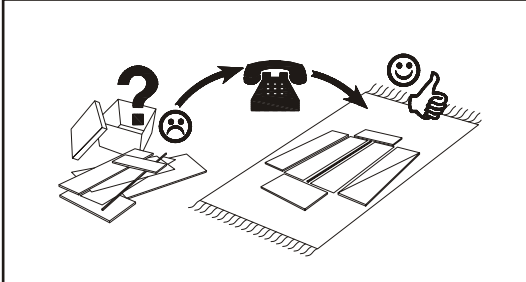
NO	Dim.		Col.-No	Qty
15	1616	486	3	1
16	1616	486	3	1
17	976	202	2	2
18	1930	150	2	1
19	2184	50	2	2
20	2184	50	2	2
21	460	50	2	2
23	1655	514	3	1
24	1627	484	1	2
25	1655	457	1	1
26	930	506	2	2
27	971	411	1	1
28	971	383	1	1
29	957	80	3	1

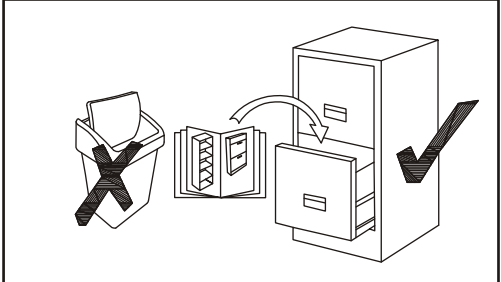
# HUGO Shkaf 4d

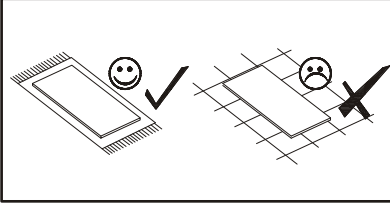
K2 x12		E1 x12	 ø6,3x24	E3 x28	 ø6,3x13	ZX x24	 ø7x50	G5 x40		Z3 x24	 ø5
G2 x1		E2 x14	 H=0	E21 x7	 Ø35 H=0	E22 x7	 Ø35 H=0	K1 x17		A1 x32	 ø8x30
K3 x14		N1 x2	 500mm	T1 x6		B4 x16		B5 x16	 ø15x12	S1 x22	
D10 x101	 USØ3,5x16	Z1 x4		BO1 x5	 160mm	O1 x4	 UsØ4x45	L1 x1	 1611mm	Z2.1 x1	 950mm
Z2.2 x1	 493mm										

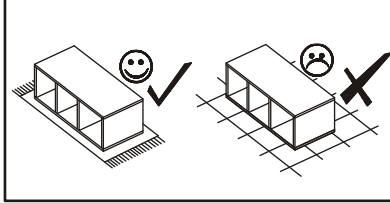


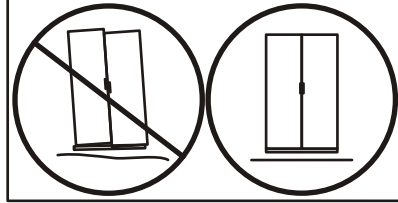


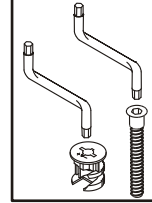











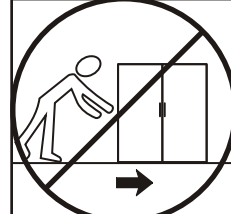


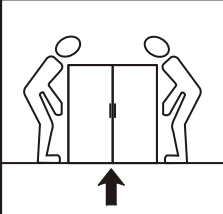


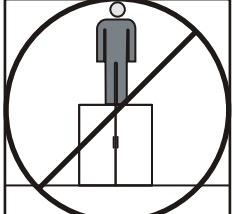


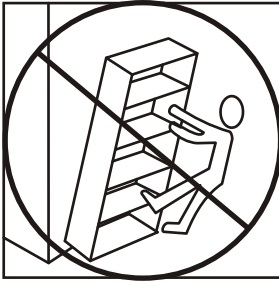


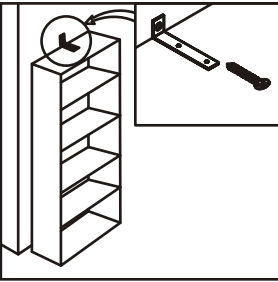


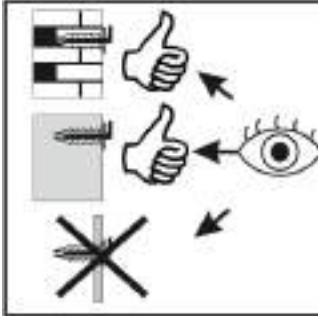






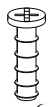
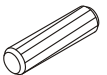


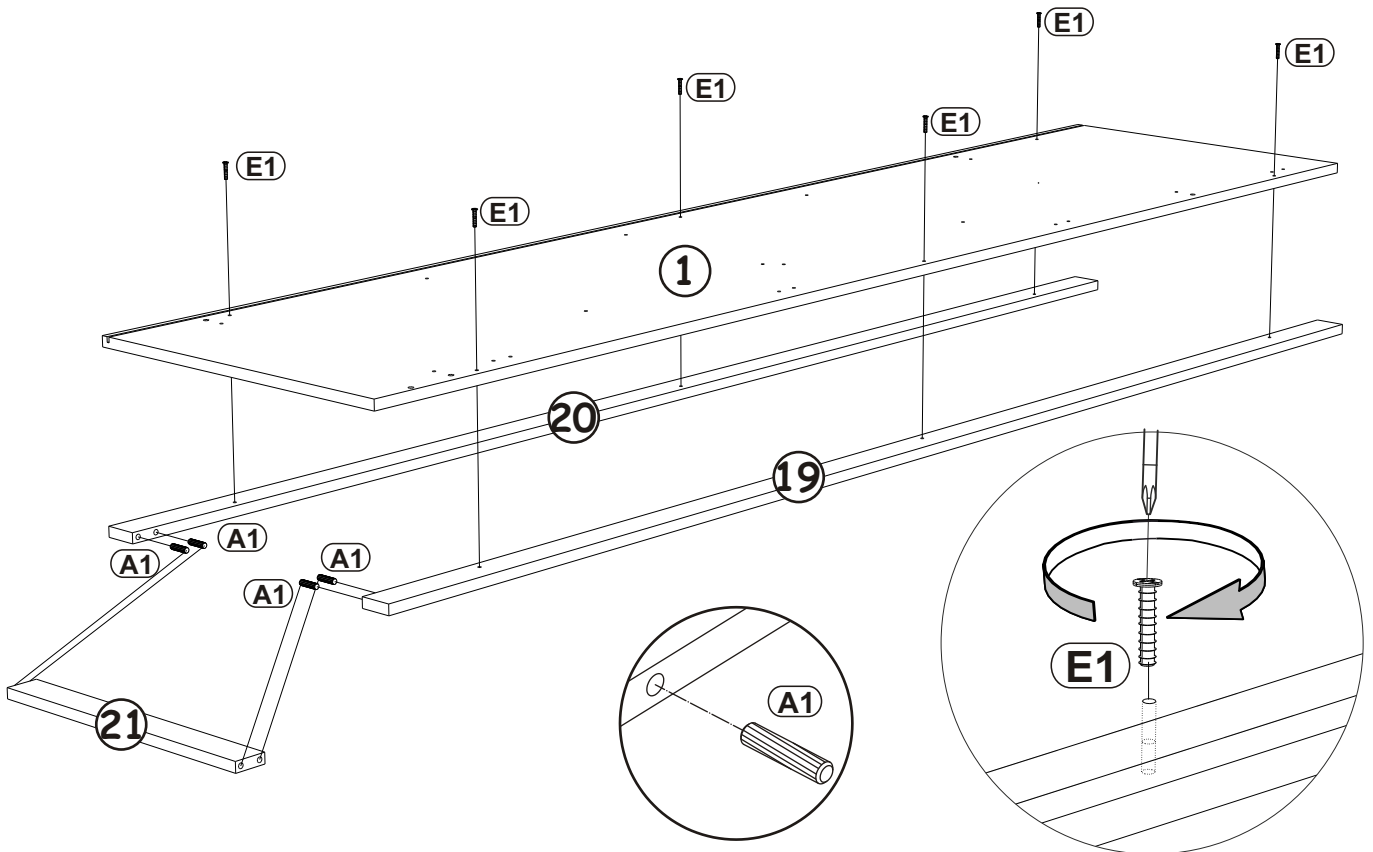




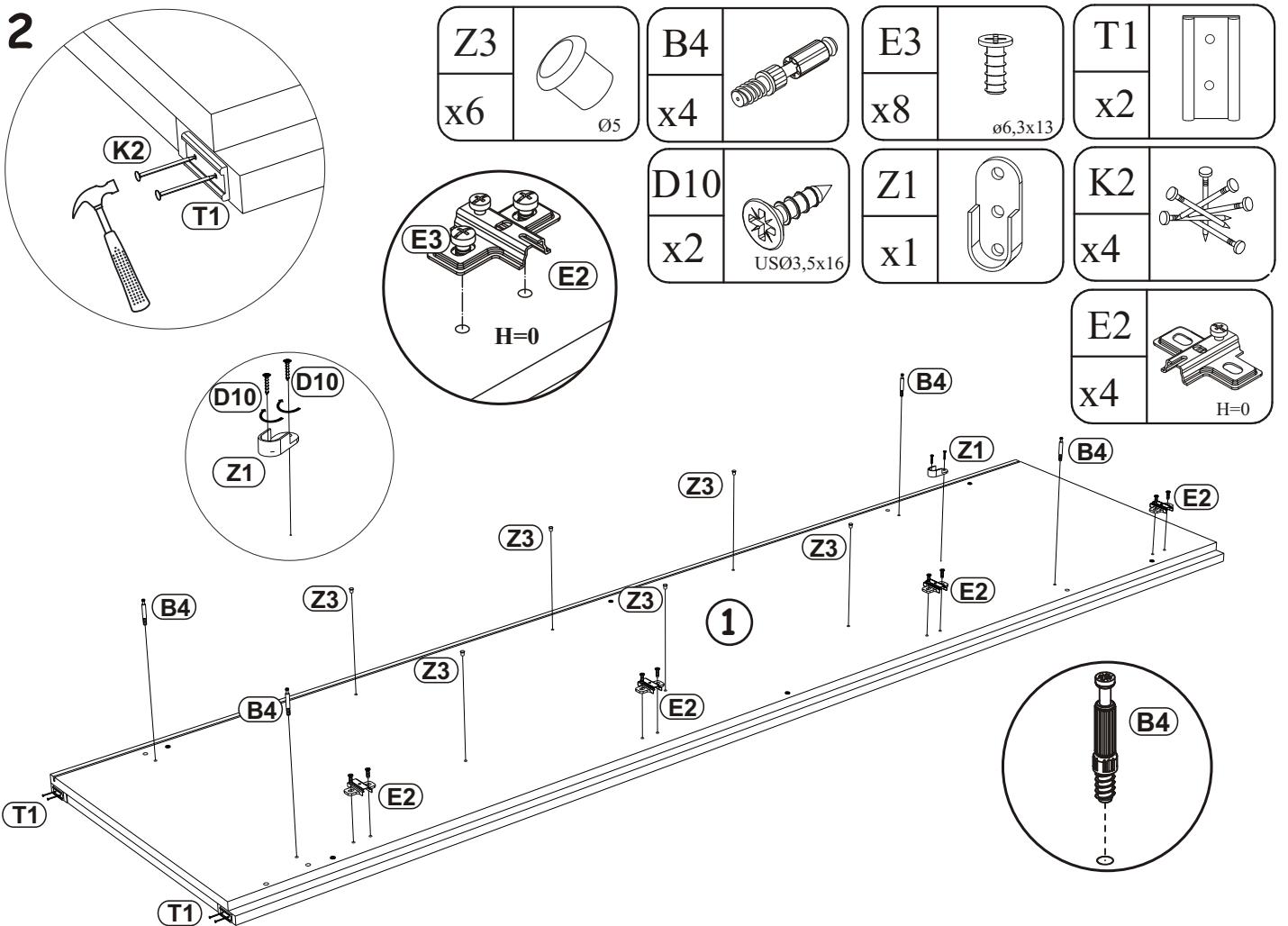
# HUGO Shkaf 4d

1

E1		A1	
x6	ø6,3x24	x4	ø8x30


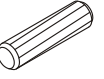


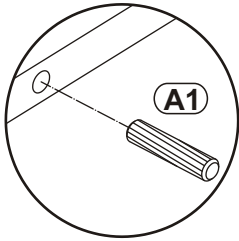
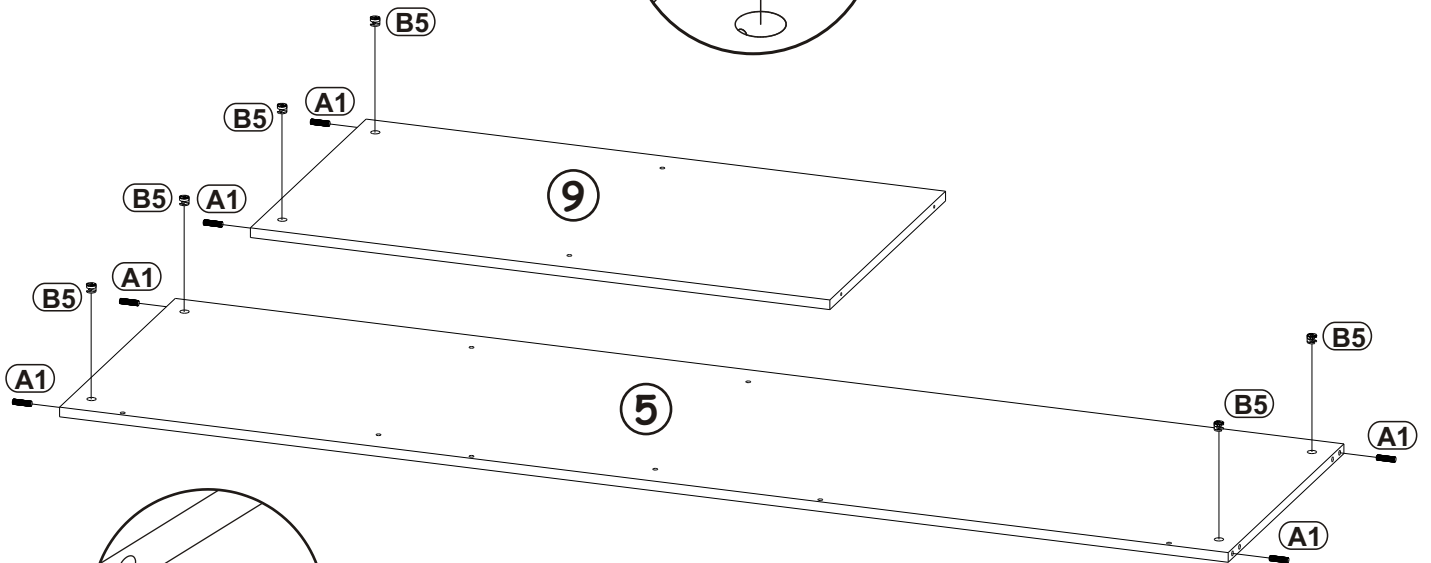
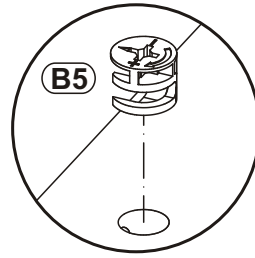
2




# HUGO Shkaf 4d

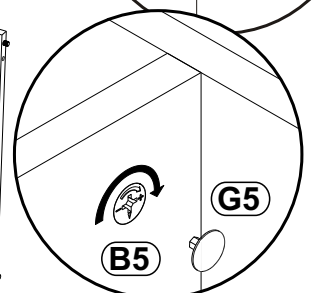
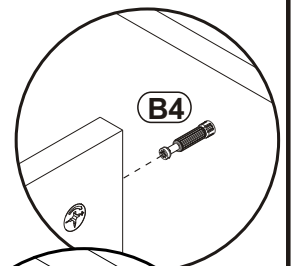
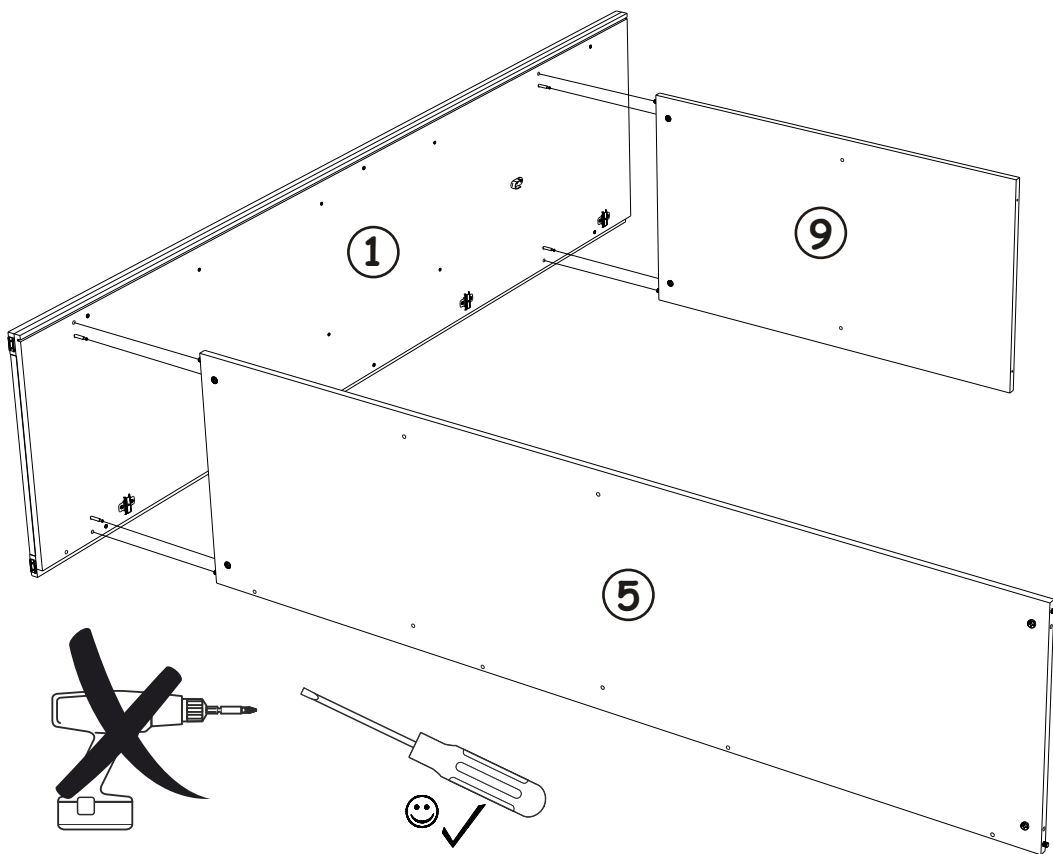
3

B5		A1	
x6	ø15x12	x6	ø8x30



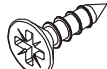
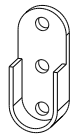

4

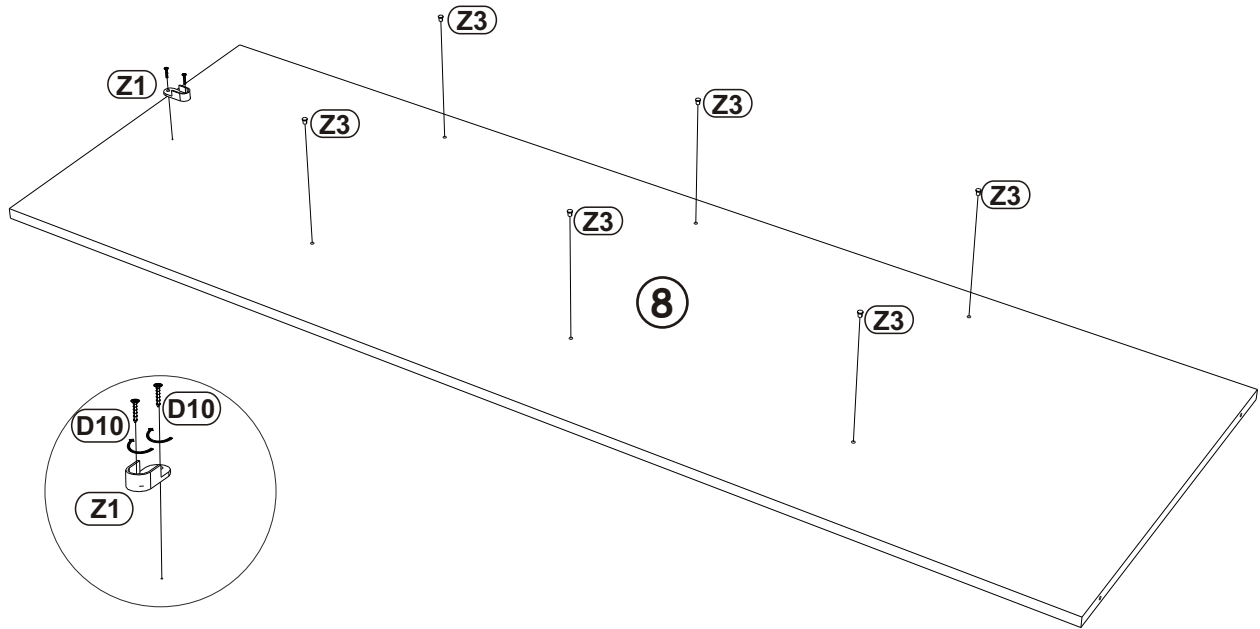
G5	
x4	





# HUGO Shkaf 4d

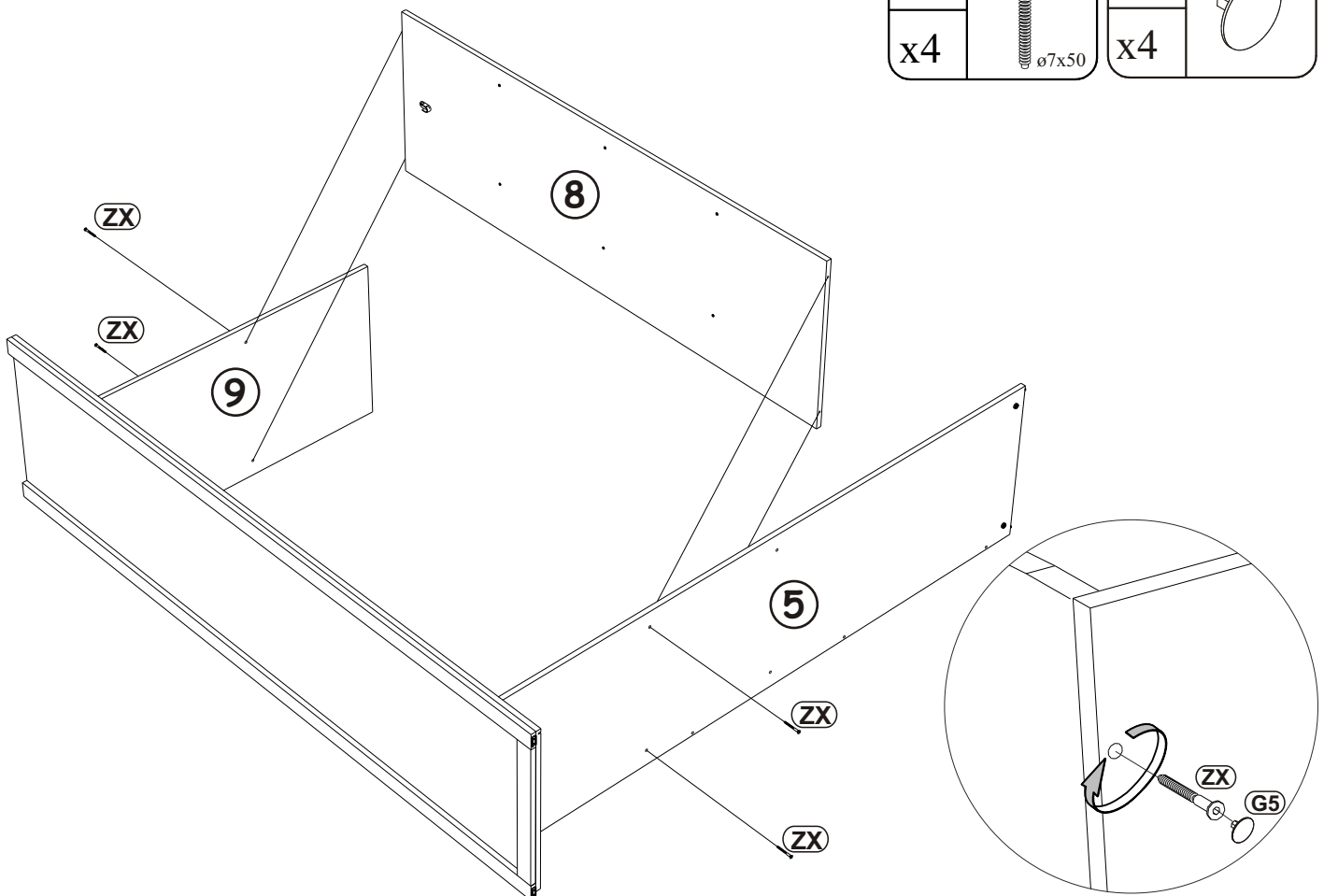
## 5

D10		Z1	
x2	USØ3,5x16	x1	
		Z3	
		x6	Ø5



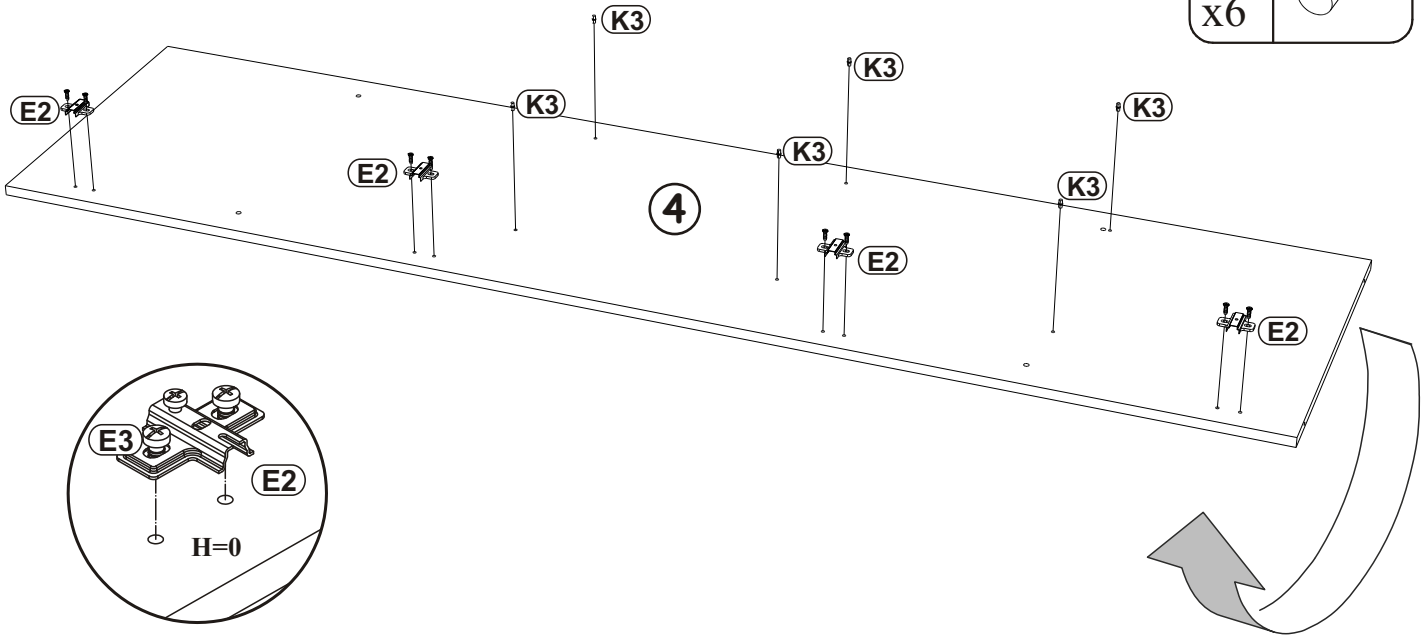
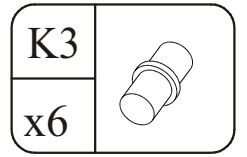
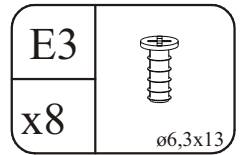
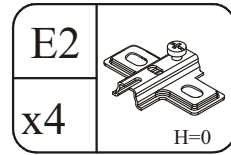
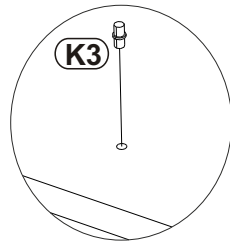
## 6

ZX		G5	
x4	Ø7x50	x4	

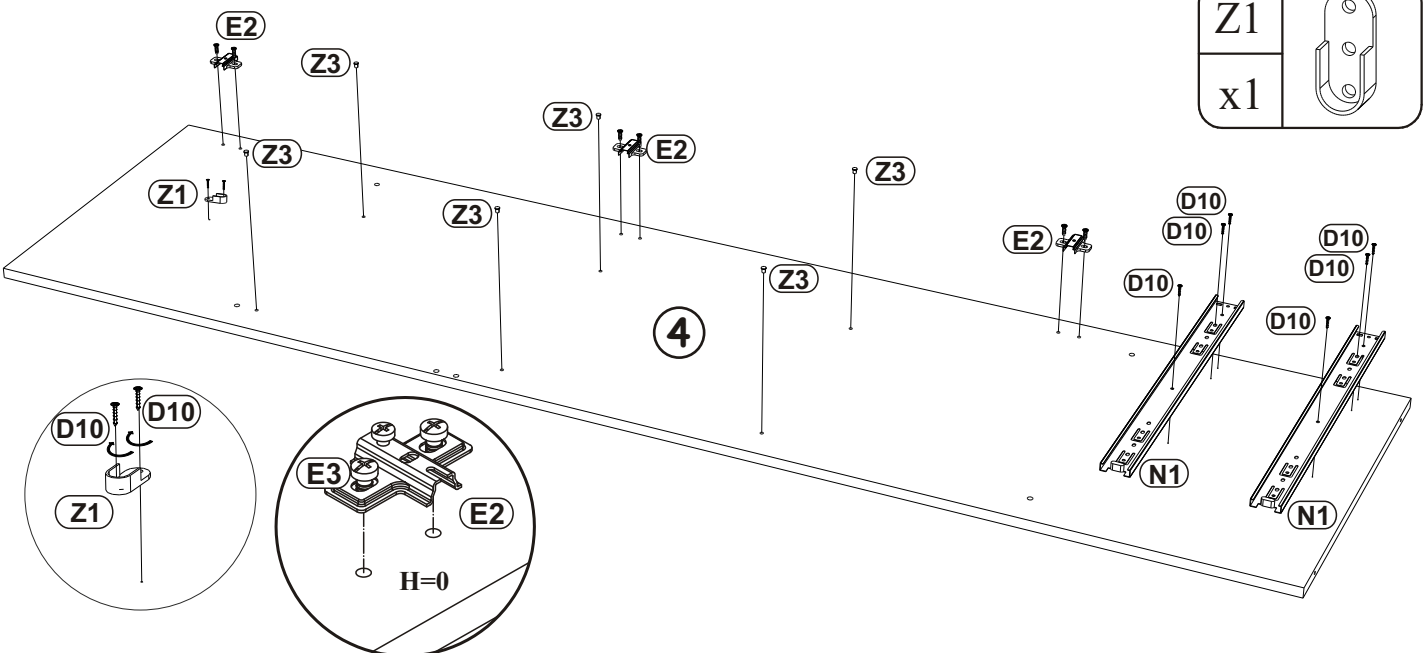
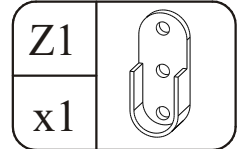
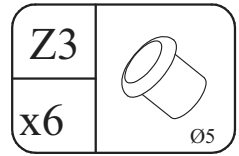
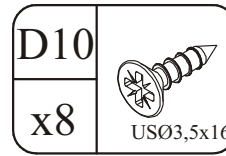
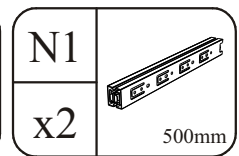
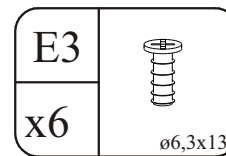
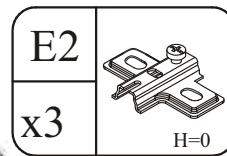
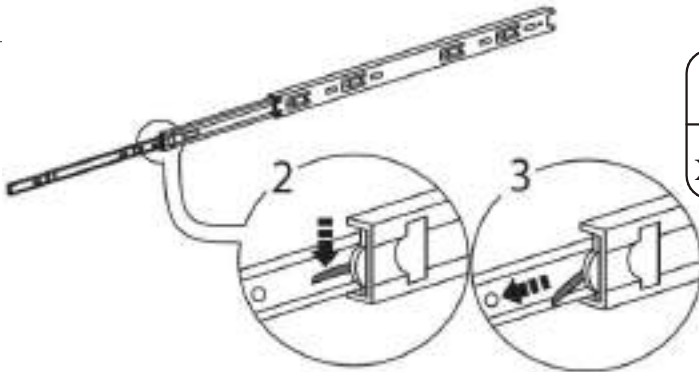


# HUGO Shkaf 4d

7

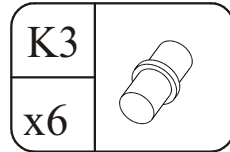
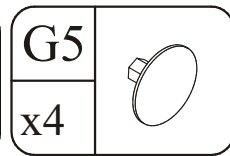
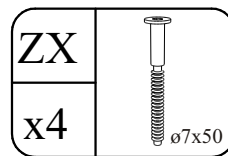
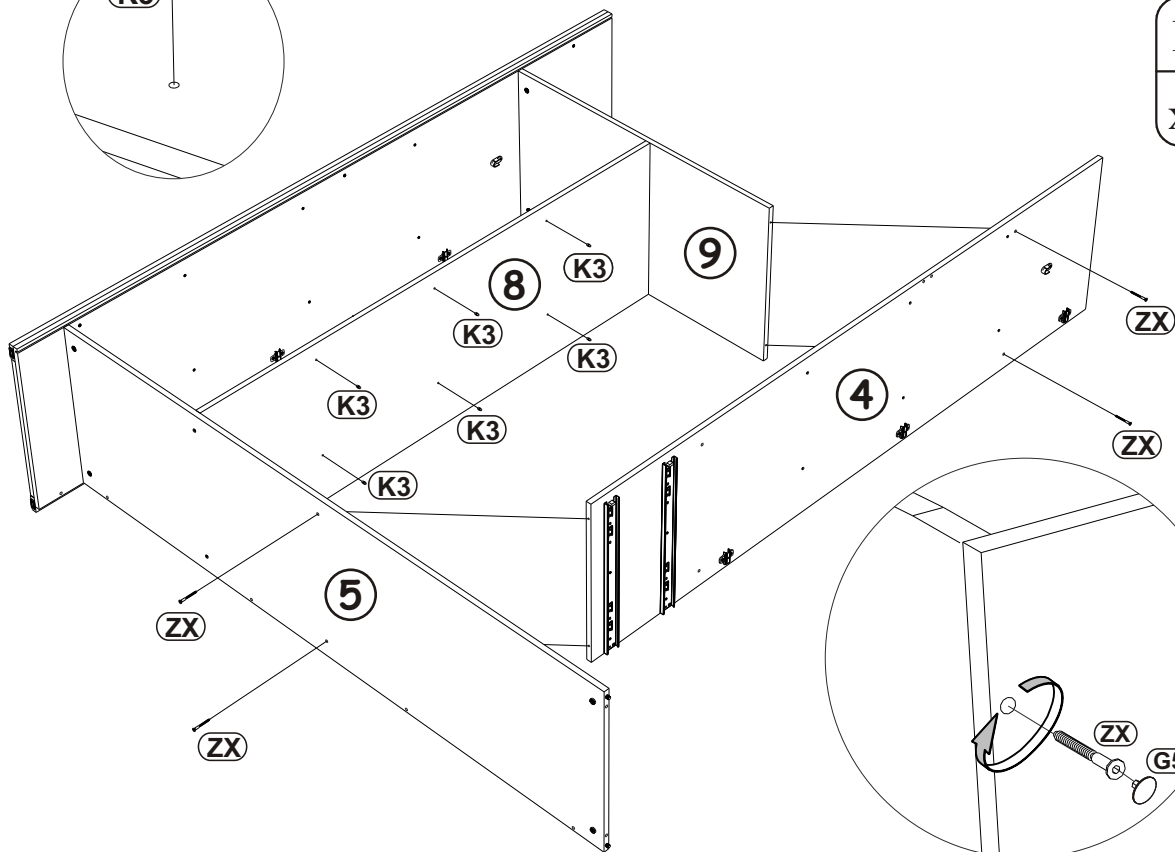
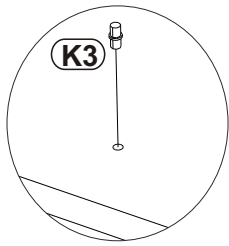


8

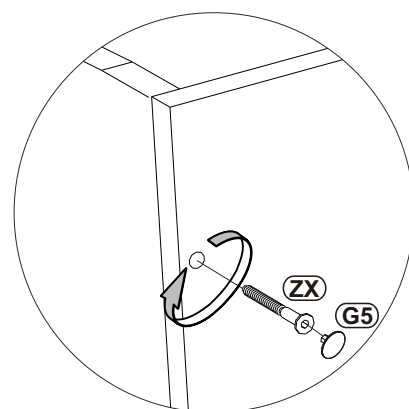
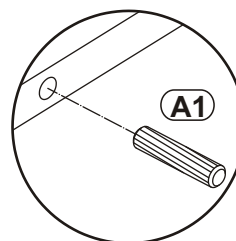
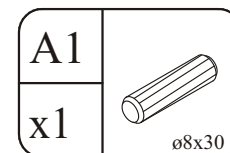
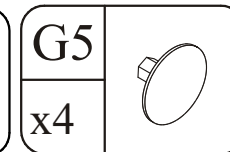
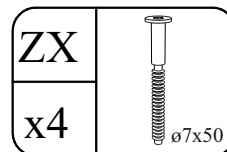
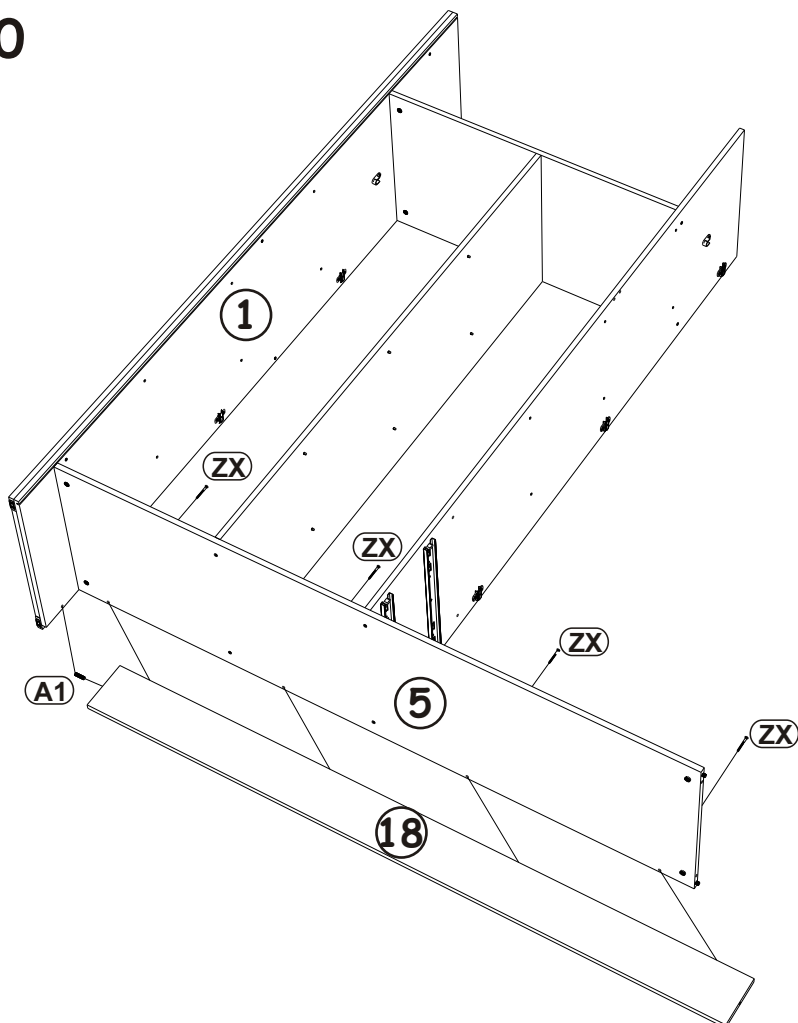


# HUGO Shkaf 4d

9


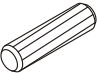


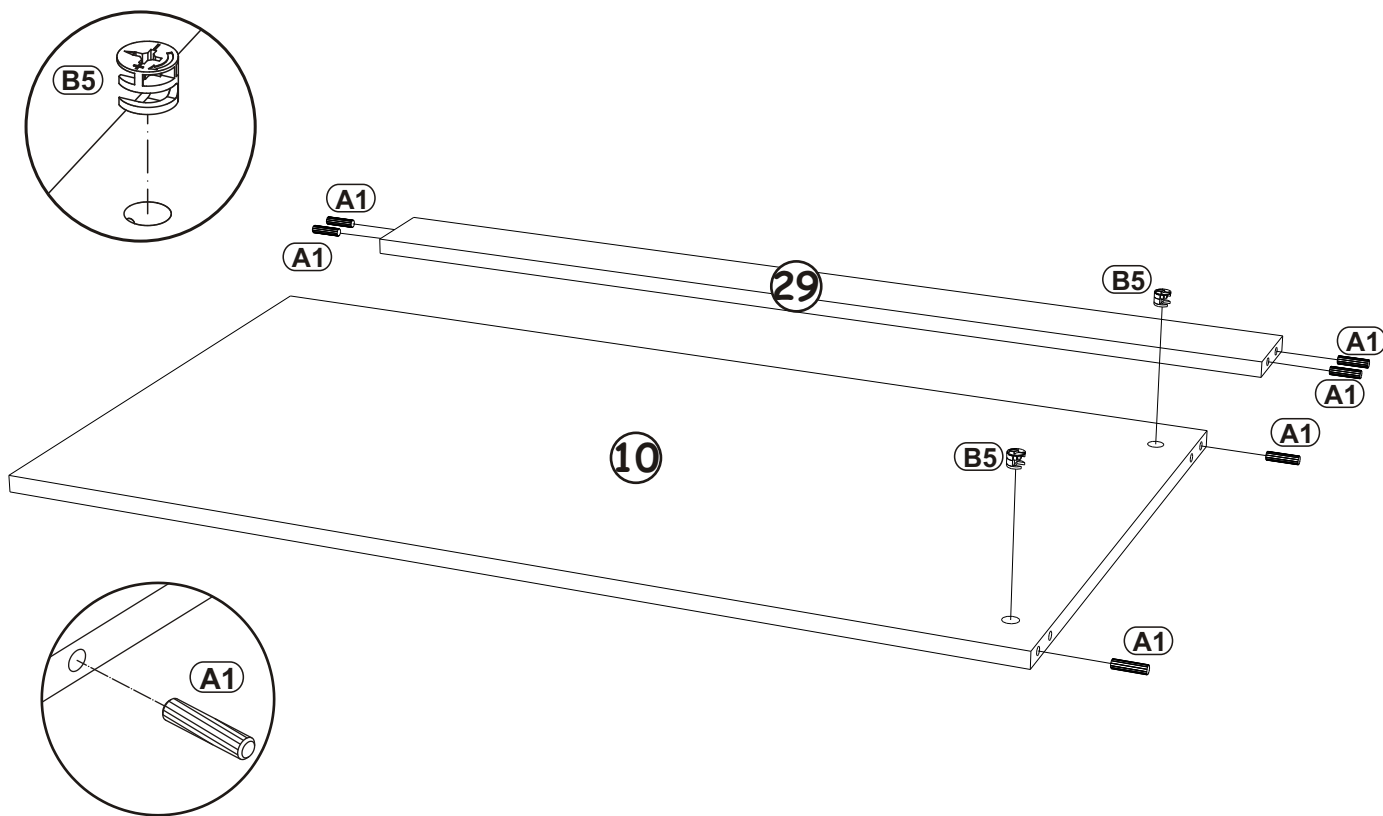
10





# HUGO Shkaf 4d

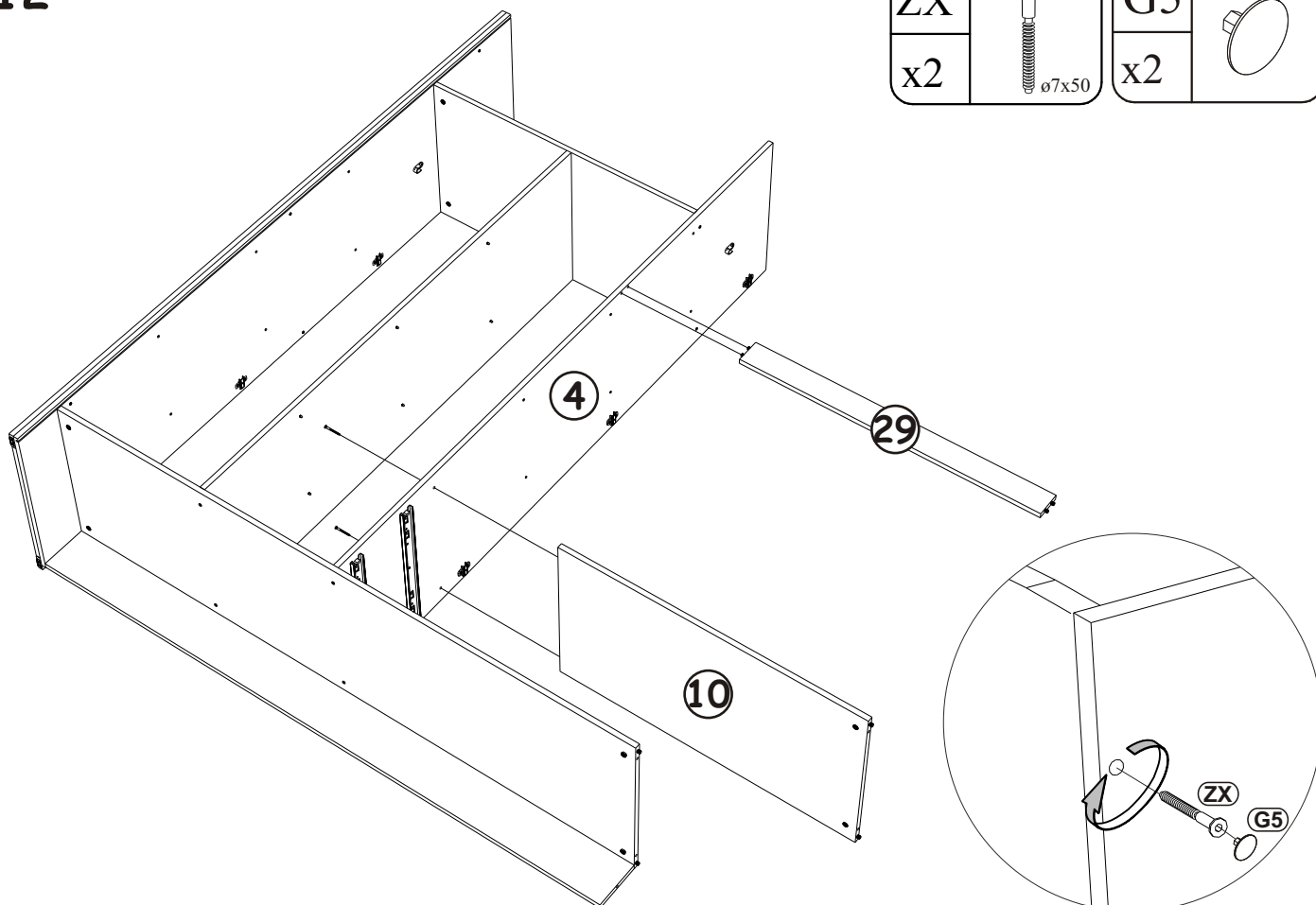
## 11

B5		A1	
x2	ø15x12	x6	ø8x30



## 12

ZX		G5	
x2	ø7x50	x2	

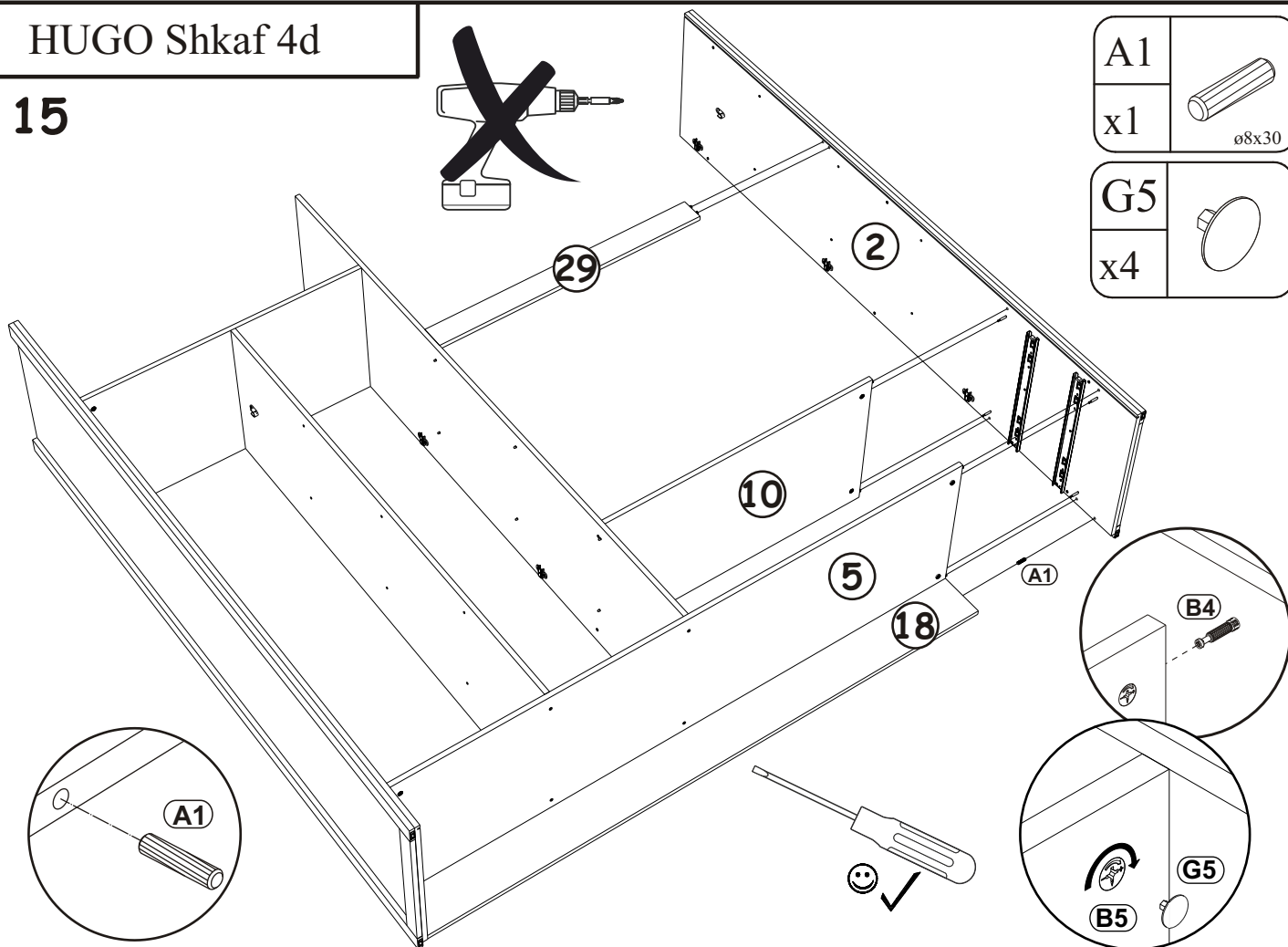
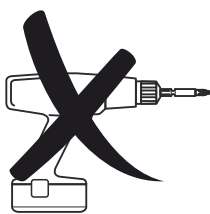






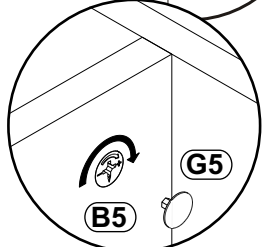
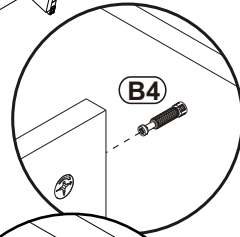
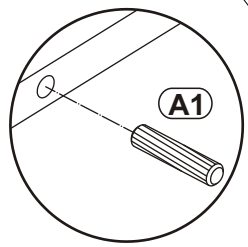
# HUGO Shkaf 4d

15



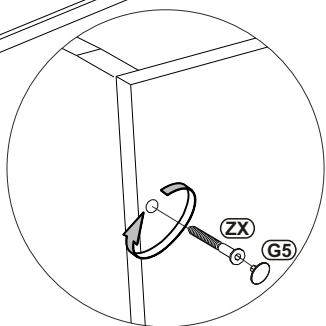
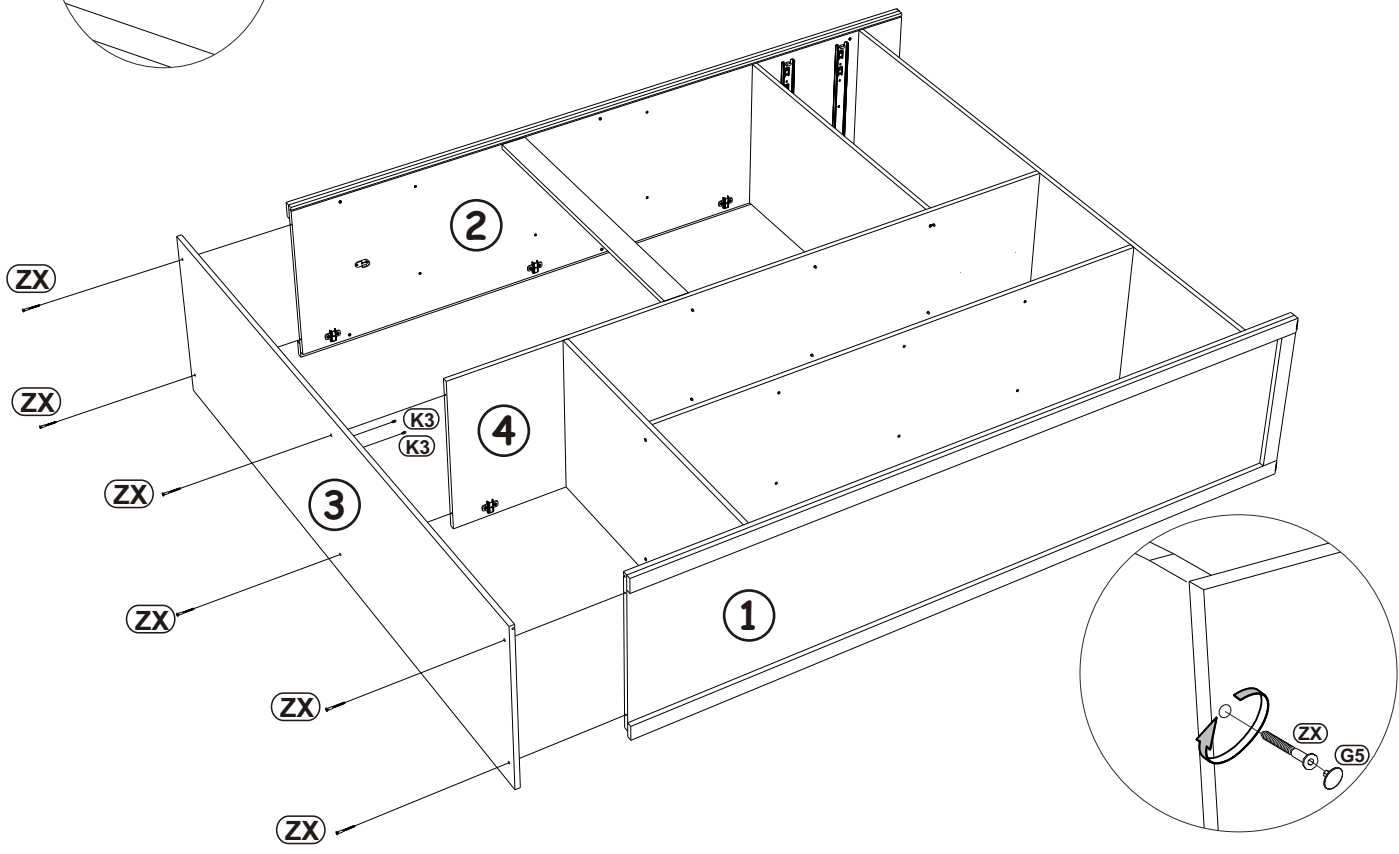
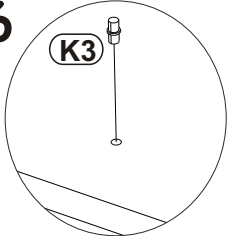
A1	
x1	ø8x30

G5	
x4	




16

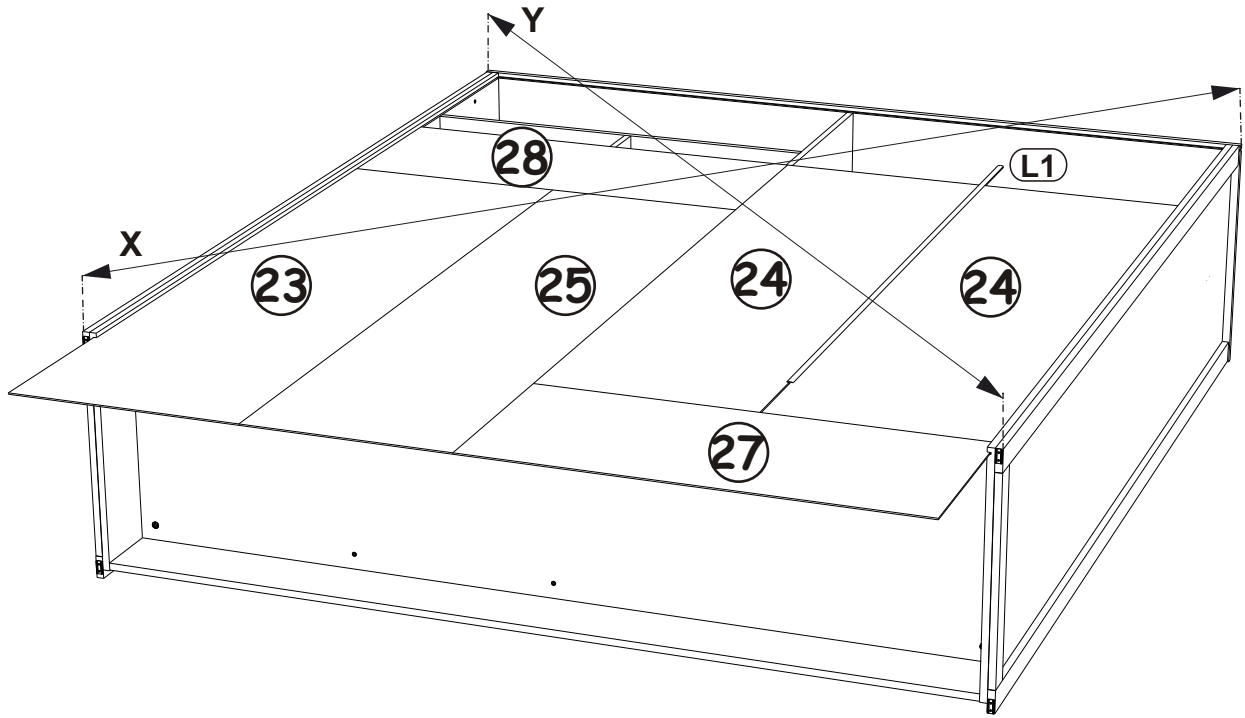
ZX		G5		K3	
x6	ø7x50	x6		x2	



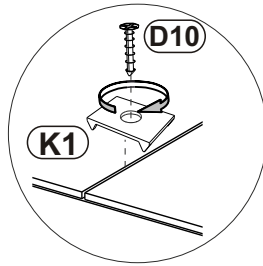
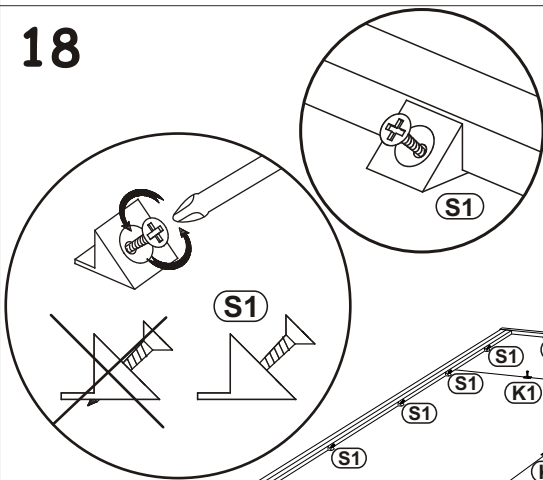
# HUGO Shkaf 4d


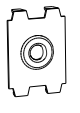
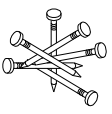
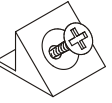
17

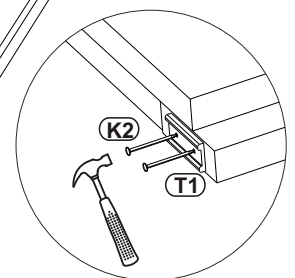
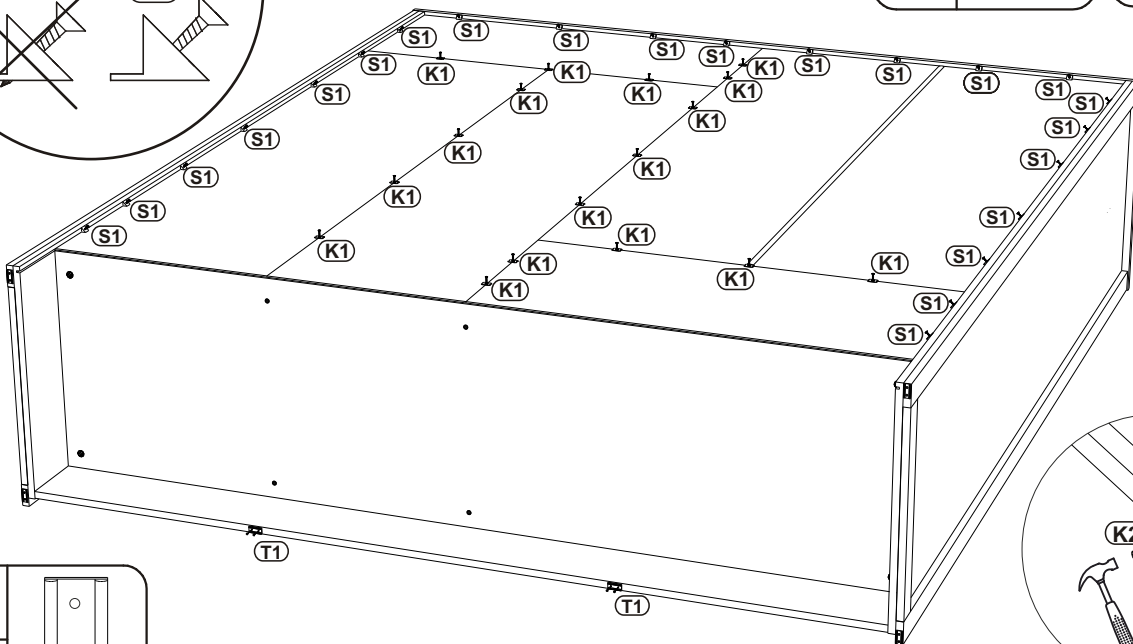
L1	
x1	1611mm

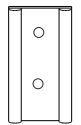


18



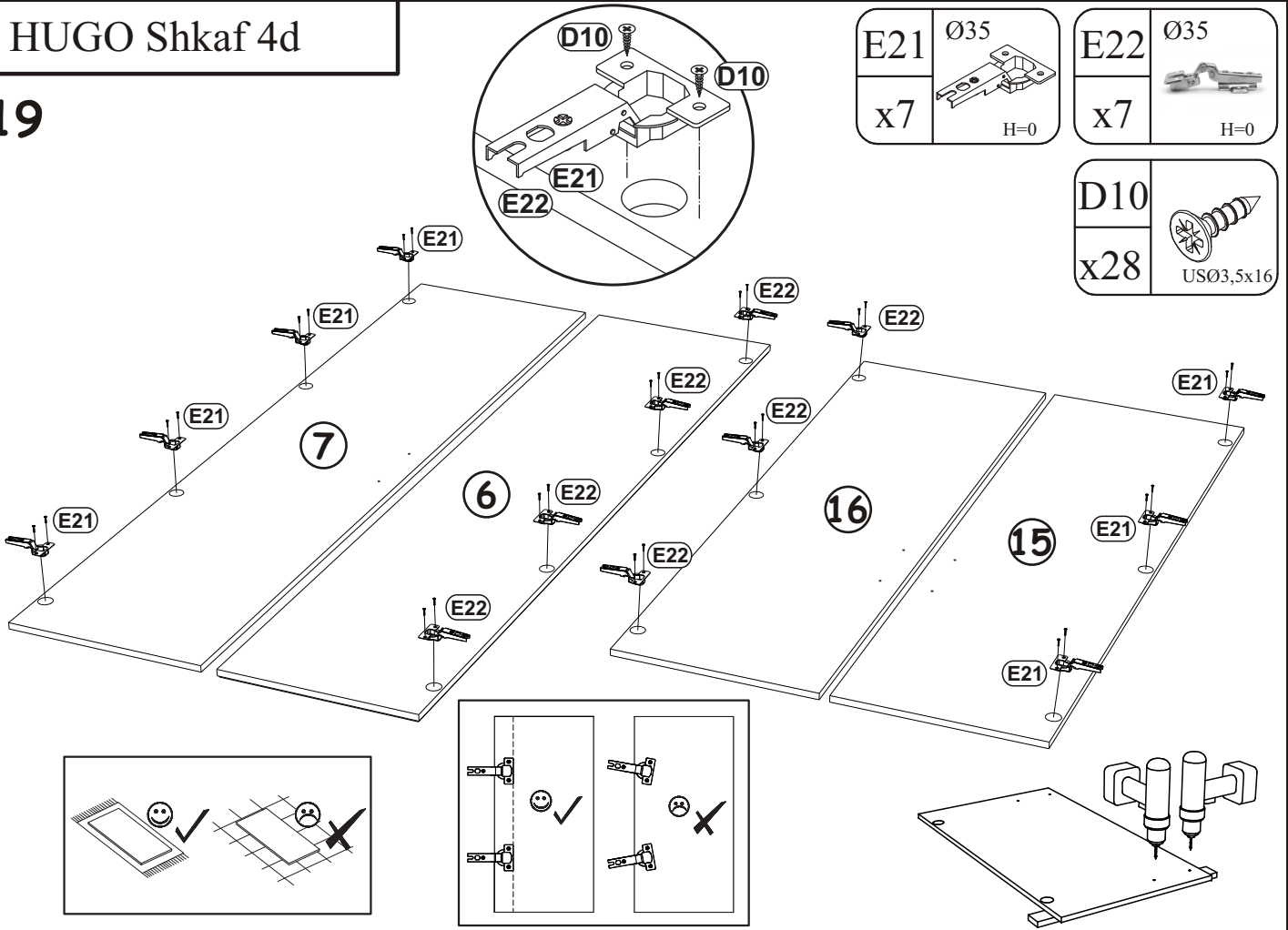
D10		K1	
x17	USØ3,5x16	x17	
K2		S1	
x4		x22	



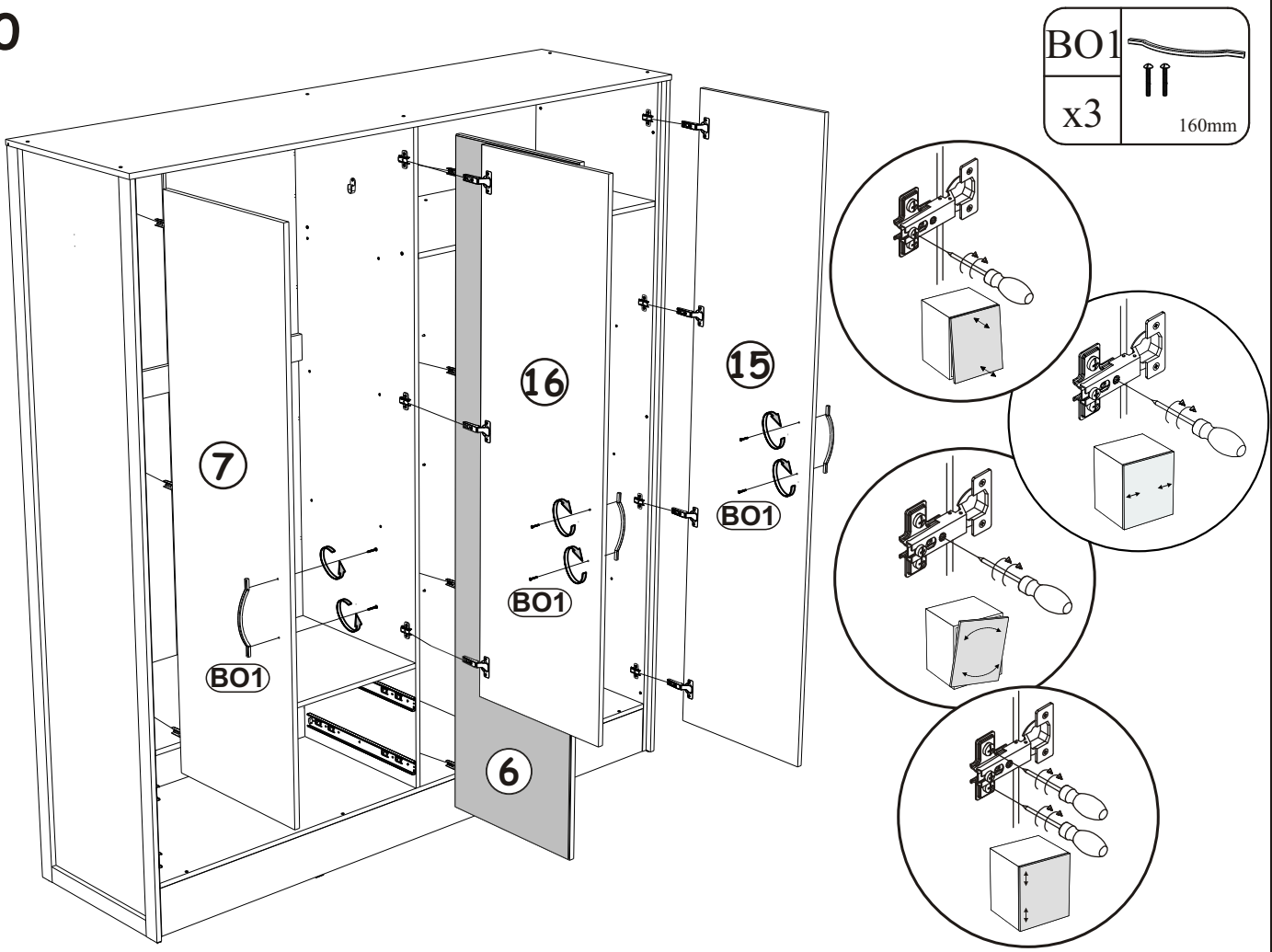
T1	
x2	

# HUGO Shkaf 4d

## 19

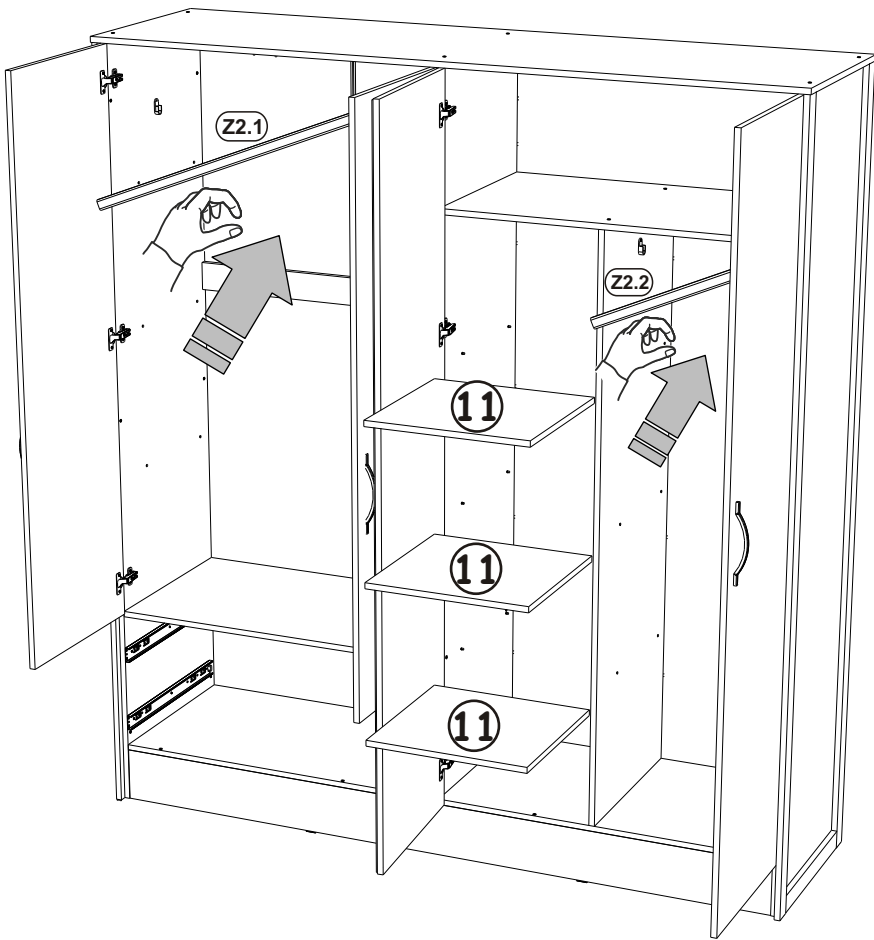


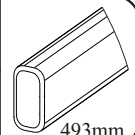
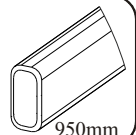
## 20



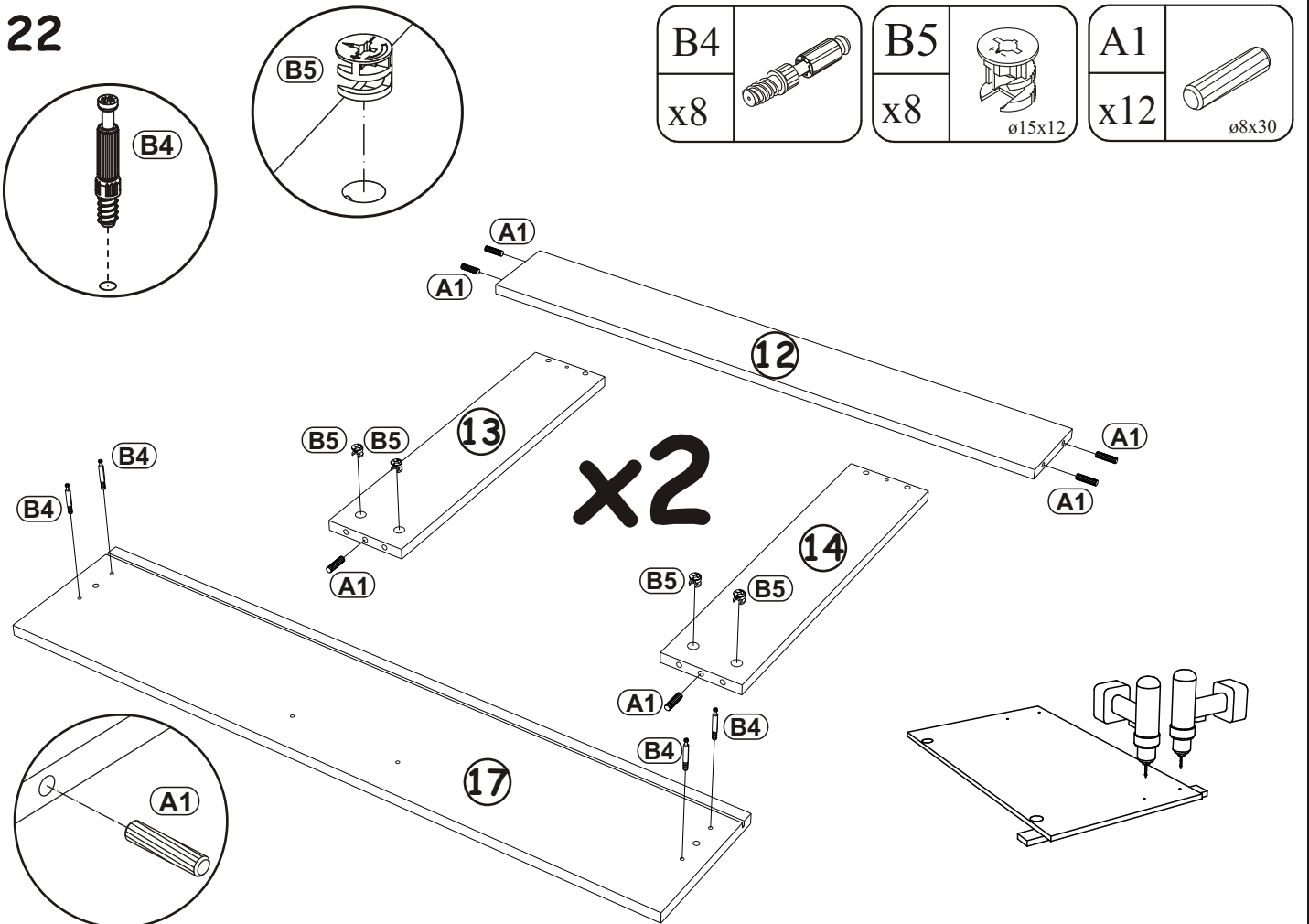
# HUGO Shkaf 4d

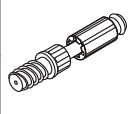

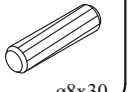
21




Z2.2		Z2.1	
x1	493mm	x1	950mm

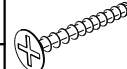
22




B4		B5		A1	
x8		x8	ø15x12	x12	ø8x30

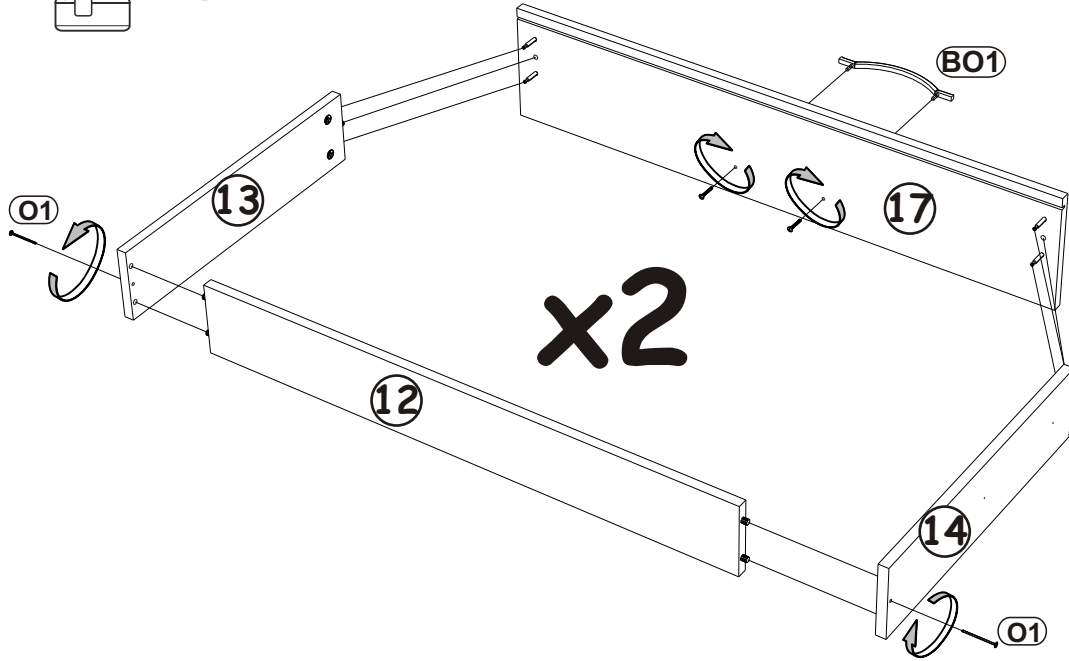
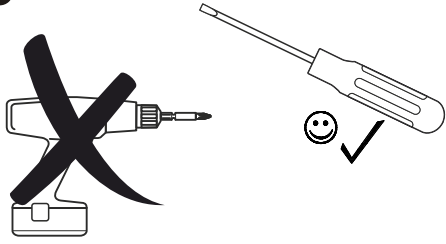
# HUGO Shkaf 4d

G5	
x8	


O1	
x4	UsØ4x45

BO1	
x2	160mm

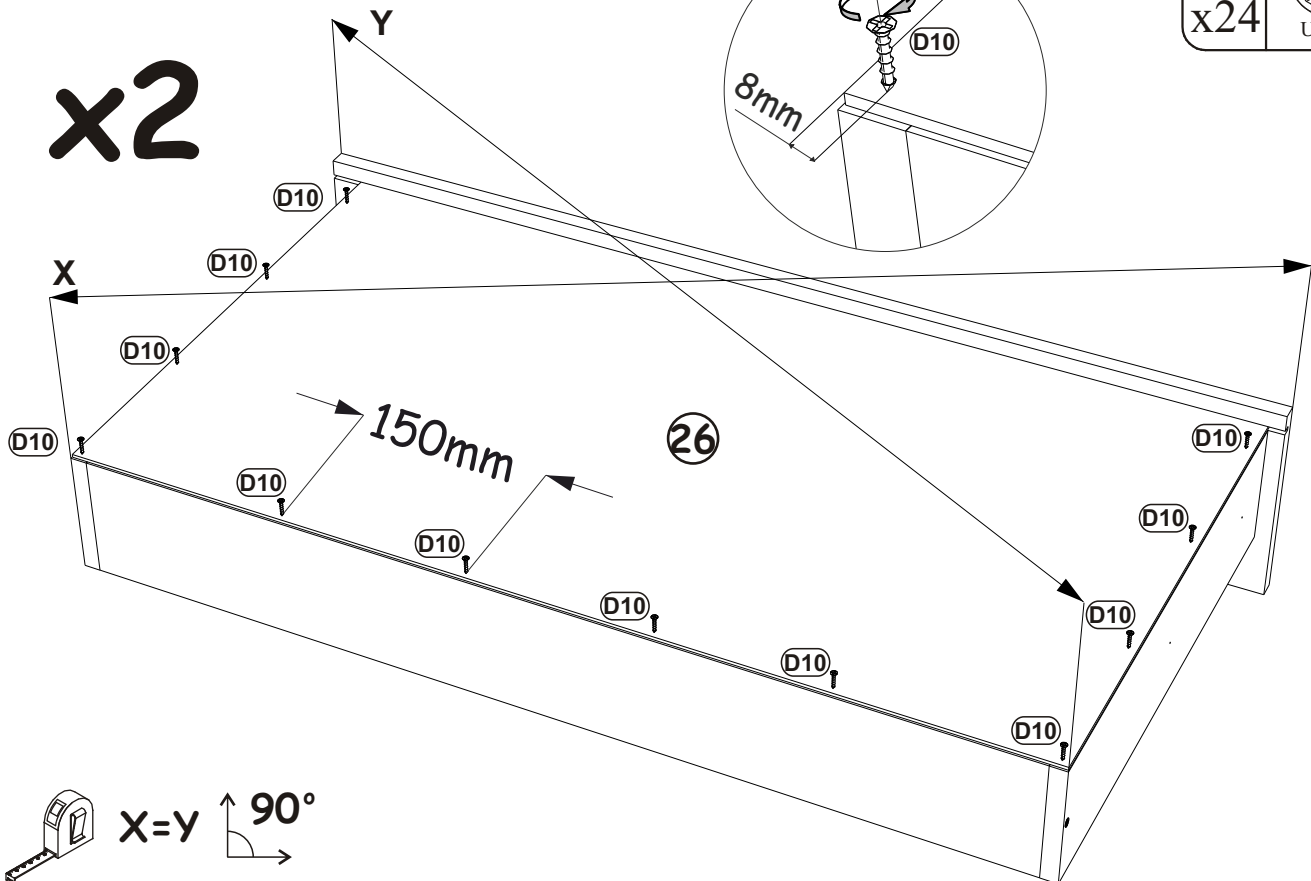
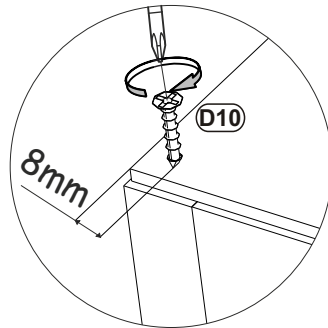
23





24

D10	
x24	USØ3,5x16

x2

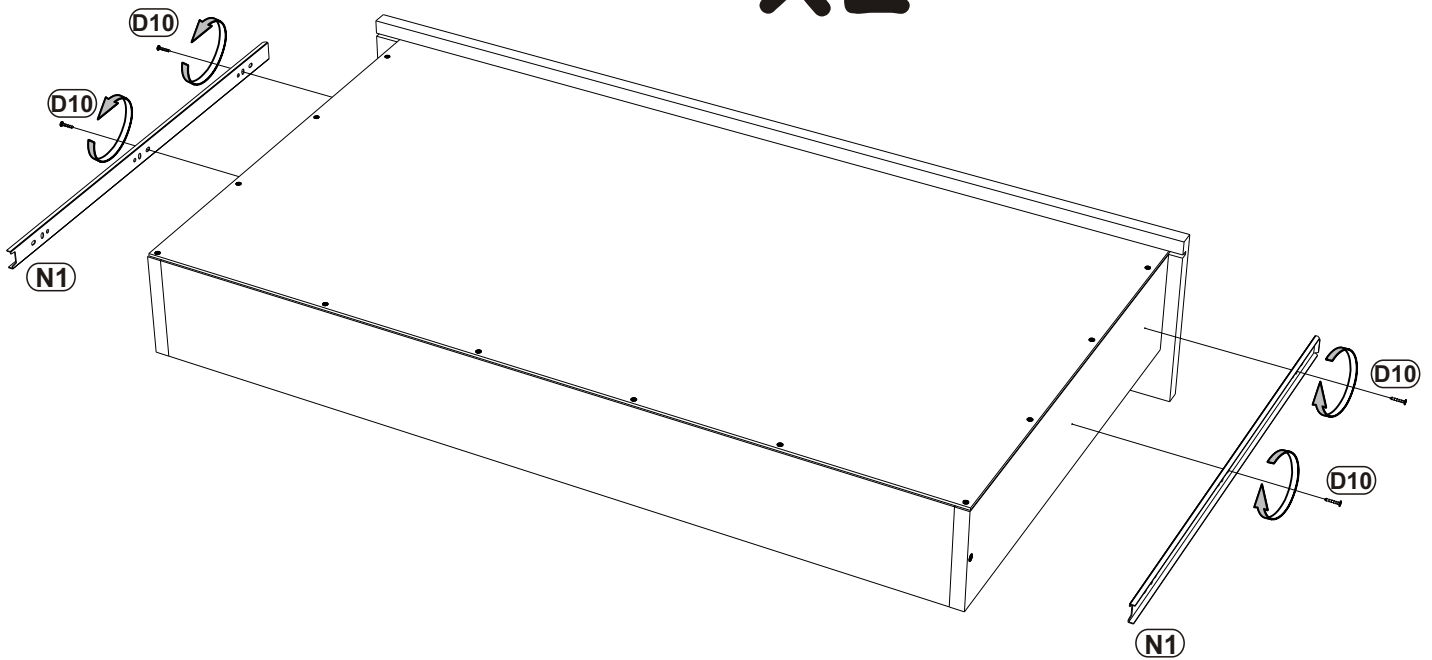


D10	
x8	USØ3,5x16

N1	
x4	500mm

25

x2



26

